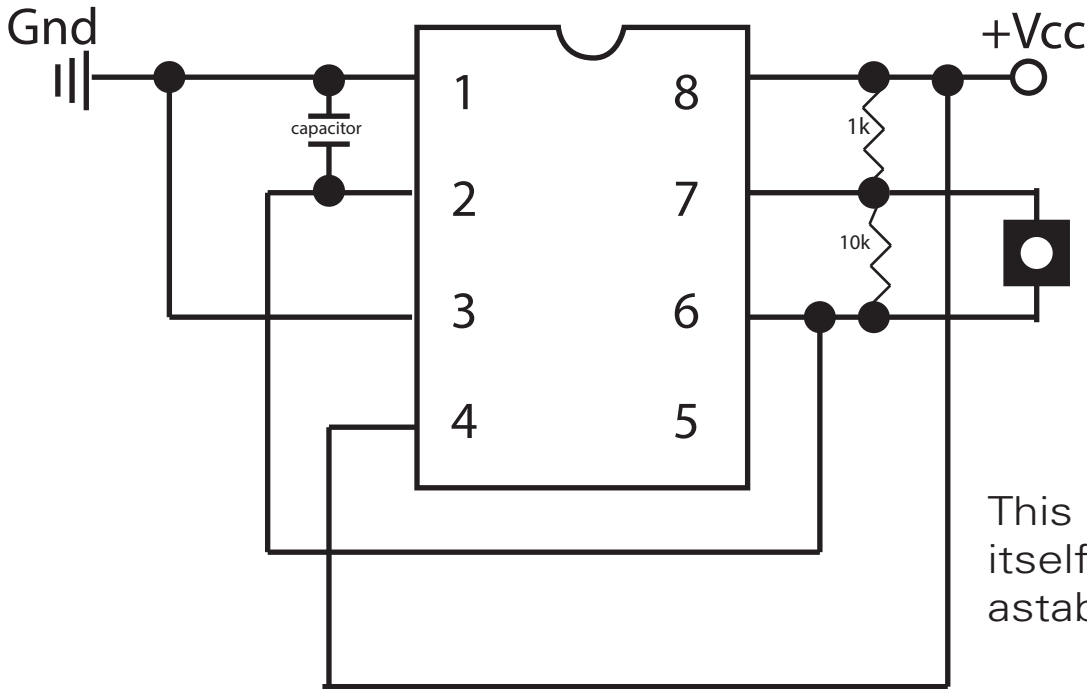


LOWEST-FI WEARABLE SYNTH

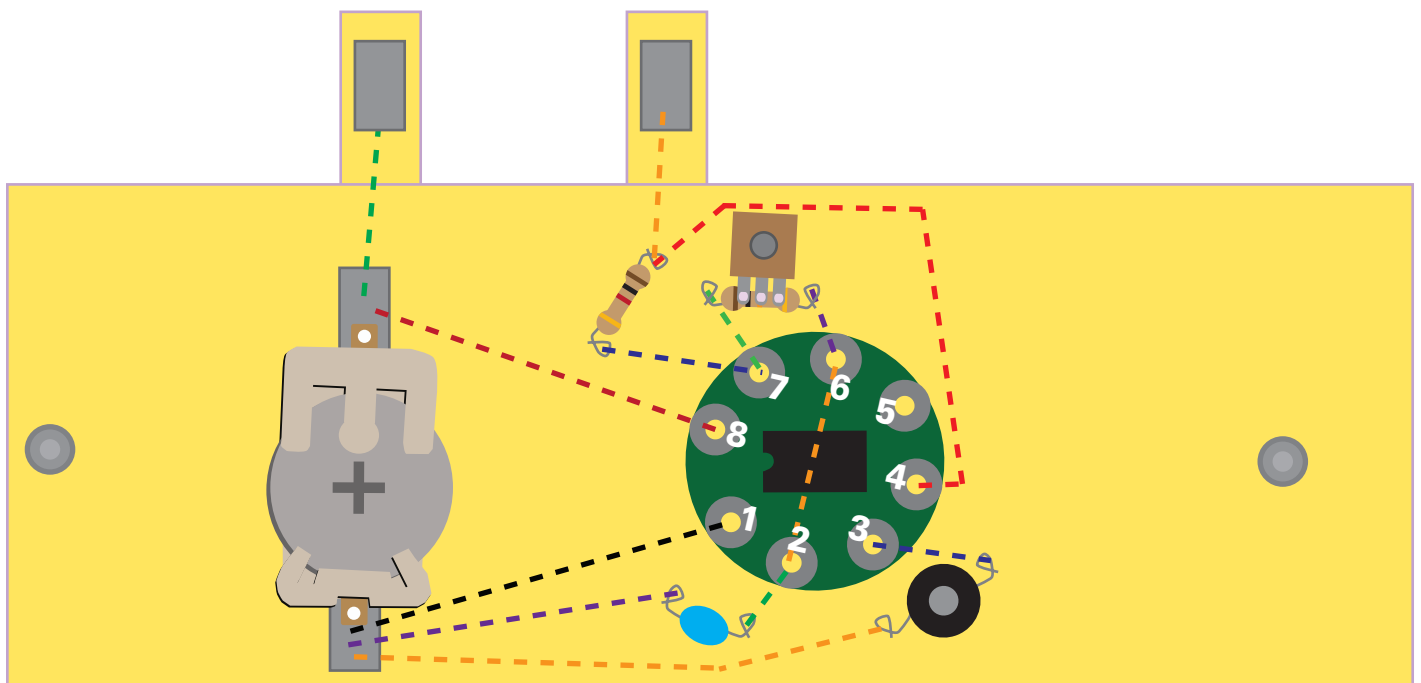
CIRCUIT DIAGRAM



- Pin 1:** Ground
- Pin 2:** Trigger
- Pin 3:** Output
- Pin 4:** Reset
- Pin 5:** Control
- Pin 6:** Threshold
- Pin 7:** Discharge
- Pin 8:** Power

This circuit will trigger itself and free run as an astable multivibrator.

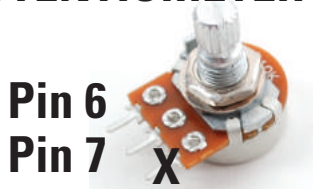
SEWING DIAGRAM



Make sure your stitches don't overlap!

PUTTING IT TOGETHER

POTENTIOMETER



0.47 μ F CAPACITOR



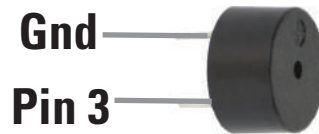
1k OHM RESISTOR



BATTERY



PIEZO SPEAKER



10k OHM RESISTOR

